

delta

# 3000 HS

delta



[www.ilapak.com](http://www.ilapak.com)



PACKAGING MACHINERY

## TECHNICAL SPECIFICATIONS

<b>Machine speed</b>	Up to 150 cycles per minute Production output depends on film sealability and product characteristics.
<b>Product dimensions</b>	
LENGTH	Up to 350 mm - 14" According to the head design.
WIDTH	150 mm - 6" (jaws 190 mm - 7.5")
HEIGHT	Up to 90 mm - 3.5" on request Up to 60 mm - 2.4" on request Up to 45 mm - 1.8" on request According to the head design.
<b>Film cut-off</b>	Min 80 mm - 3.1" / Max 400 mm - 16" Depending on film and product characteristics.
<b>Wrapping materials</b>	Shrink Barrier films, laminated, co-extruded and all sealable films
<b>Film reel dimensions</b>	
CORE Ø	76,2 mm - 3" standard 152,4 mm - 6" on request
OUTER Ø	350 mm - 13.8" standard 400 mm - 15.7" on request (auto-splicer only)
WIDTH	500 mm - 19.7" standard 650 mm - 25.6" on request
<b>Film reel max weight</b>	Depending on film reel width, up to 75 kg
<b>Electronic platform</b>	Industrial PC + CAN BUS System For USA & Canada, in particular, Allen Bradley platform available.
<b>Power requirement</b>	From 220 to 480 V, 50/60 Hz, 7 kVA
<b>Compressed air</b>	6 bar, 200 l/min
<b>Machine weight</b>	1500 kg - 3300 lbs

## MAIN STANDARD FEATURES

Long-dwell sealing head to optimize sealing cycle.

4 AC motors to control infeed, rollers, jaws, film feed (additional motors with automatic feeders).

User friendly 10" colour VGA touch screen operator interface with intuitive icons.

64 programs (additional memory on request).

Automatic product size change.

Integrated temperature control.

Film tensioning and power unwind system controlled by loadcell.

Electronic diagnostics on-board.

No product / No bag.

Misplaced product detection system.

Ports for peripheral units (printer, labelers, gas control, etc.).

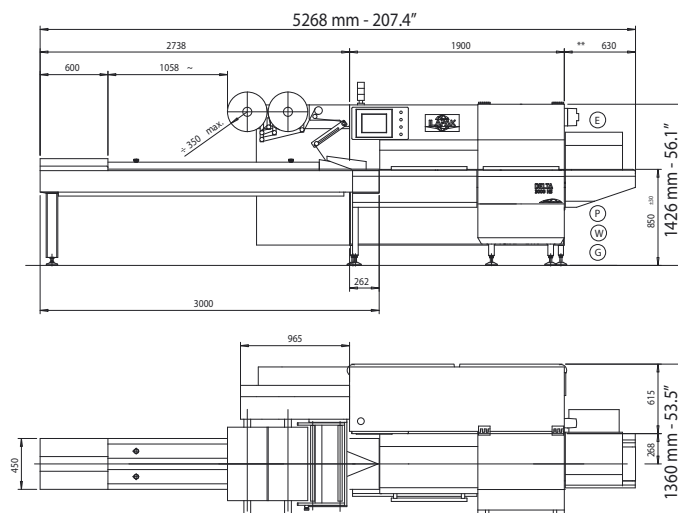
Programming via AT compatible keyboard.

Right-hand.

Robust, hygienic, easy to clean design.

Please discuss your needs with our local representative to configure this machine to your product's specific requirements.

ILAPAK is ISO 9001:2000 certified.



All measurements not specified in inches are given in millimeters.

These specifications are not binding. We reserve the right to change them without prior notice.