

delta

# 3000 LD



[www.ilapak.com](http://www.ilapak.com)



PACKAGING MACHINERY

## TECHNICAL SPECIFICATIONS

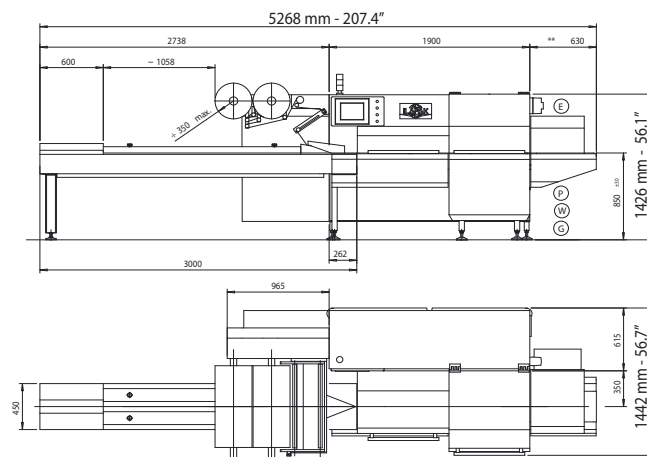
<b>Machine speed</b>	Up to 110 cycles per minute Production output depends on film sealability and product characteristics.
<b>Product dimensions</b>	
LENGTH	Up to 650 mm - 25.6" standard Up to 1000 mm - 39.0" on request
WIDTH	320 mm - 12.6" standard (jaws 345 mm - 13.6") 360 mm - 14.2" on request (jaws 440 mm - 17.3")
HEIGHT	Up to 100 mm - 4.0" standard (centre-axle 180) Up to 150 mm - 6.0" on request (centre-axle 225) Up to 60 mm - 2.4" on request (centre-axle 140)
<b>Film cut-off</b>	Min 100 mm - 4" / Max 1200 mm - 47" Depending on film and product characteristics.
<b>Wrapping materials</b>	Shrink Barrier films, laminated, co-extruded and all sealable films
<b>Film reel dimensions</b>	
CORE Ø	76,2 mm - 3" standard 152,4 mm - 6" on request
OUTER Ø	350 mm - 13.8" standard 400 mm - 15.7" on request (auto-splicer only)
WIDTH	800 mm - 31.5" standard 500 mm - 19.7" standard (wet-wipes only) 650 mm - 25.6" on request 900 mm - 35.4" on request
<b>Film reel max weight</b>	Depending on film reel width, up to 75 kg
<b>Electronic platform</b>	Industrial PC + CAN BUS System For USA & Canada, in particular, Allen Bradley platform available.
<b>Power requirement</b>	From 220 to 480 V, 50/60 Hz, 7 kVA
<b>Compressed air</b>	6 bar, 200 l/min
<b>Machine weight</b>	1400 kg - 3100 lbs

## MAIN STANDARD FEATURES

- Long-dwell sealing head to optimize sealing cycle.
- 4 AC motors to control infeed, rollers, jaws, film feed (additional motors with automatic feeders).
- User friendly 10" colour VGA touch screen operator interface with intuitive icons.
- 64 programs (additional memory on request).
- Automatic product size change.
- Integrated temperature control.
- Film tensioning and power unwind system controlled by loadcell.
- Electronic diagnostics on-board.
- No product / No bag.
- Misplaced product detection system.
- Ports for peripheral units (printer, labelers, gas control, etc.).
- Programming via AT compatible keyboard.
- Right-hand.
- Robust, hygienic, easy to clean design.

Please discuss your needs with our local representative to configure this machine to your product's specific requirements.

ILAPAK is ISO 9001:2000 certified.



All measurements not specified in inches are given in millimeters.

These specifications are not binding. We reserve the right to change them without prior notice.