

**Esperia**<sup>®</sup>

**A New Approach:  
Interactive Management  
in Price Labelling**



ES 1000

ES 2000

**ES 3000**

ES 4000

ES 5000

ES 6000

**ES 7000**

**ES 8000**

ES 9000



## Welcome to the future of Price Labelling!

A period of intensive and creative research and development is now culminating in the presentation of our New Generation of innovative Price Labelling machines.

It was always our ambition to stay just ahead of general development. We are particularly proud of the new machines, which combine an ingenious industrial design with unprecedented functionality.

For perfect management of all the production processes in weight and price labelling we have developed the intelligent software ESMS – the heart of our Price Labeller. It enables all the

processes to be controlled via the touch screen simply – by entering a PID number (product identification) and a CID number (customer identification). Using multi-tasking, the machine continues running whilst the next production run is being prepared.

Exceeding previous Price Labelling speeds, full of technical refinements and at the same time aesthetically pleasing we have achieved pioneering work and entered new territory with this generation.

Welcome to the future.



# The Highlights

## Properties

- output up to 150 packs per minute
- automatic adjustment of product guides, printer, label position and label rotation
- fast change of label reels by servo device
- easy replacement of thermal print heads without customer service
- conveyor belt replacement with cable-free plug-in
- conveyor with quick belt tensioning device
- labelling from below with drum printer: no belt adjustment, no belt recess
- multi-tasking for uninterrupted Price Labelling

## Construction

- industrial design housing in stainless steel
- stable machine base with minimum number of legs
- conveyors for long packs up to 750 mm
- thermal printer options:           12 dots/mm (300 dpi), print width 104 mm  
  8 dots/mm (200 dpi), print width 80 mm

## High Performance Applicator System

- automatic height compensation up to 200 mm
- no adjustment needed for different labels
- rotation of the labels for market-dependent positioning on the pack
- no external air supply needed

## Long service life and availability

- brush free drive motors
- automatic control of the printing speed
- lifting of print head between each label

## ESMS terminal

- brilliant colour display with touch screen
- clear operator guidance with on-screen messages
- interactive control of the system
- convenient master data entry
- label software with true type fonts and logos
- packaging software
- pre-selection memory (no down time for article change)

## Service

- remote maintenance via modem connection
- on line software update



# ES 7000

## Fully Automatic Price Labelling, dynamic operation

- Price Labelling Robot to a high industrial standard
- labelling output: up to 120 packs per minute
- ideally suited for combining with packaging machines  
(Flowpack, Thermo Forming Machines, Top Seal, Stretch)



Easy serviceable opening of drum printer

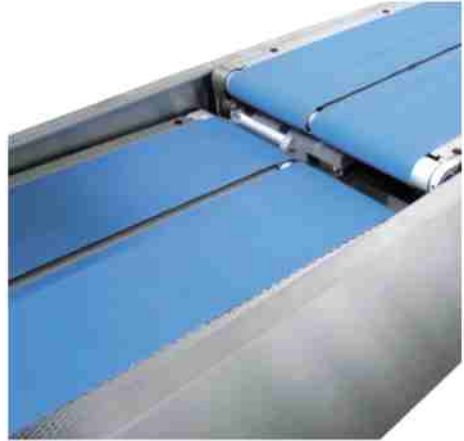
Total Printer  
ESD 104



ES 7011



Automatic adjustment of alignment station



Lowerable sealing conveyor for long packs



Protection Cover ESZ 214

**ES 7100**  
Checkweighing-Version

The ES 7000 provides fully automatic price labelling of the highest standard. Utilizing dynamic weighing technology, the system achieves a labelling output of up to 120 packs per minute with maximum precision.

Time efficiency is further enhanced by the minimisation of the time taken to replace the label reel, or to change products or packs.

The ES 7000 takes account of growing marketing demands for aesthetic label design, through a label design program and a thermal strip with high resolution.

The robust and compact stainless steel construction requires little space and cleaning is easy as it stands on only 5 legs.



# Additions

Extending additions or:  
How to increase perfection.

**ESB 204**  
Barcode scanner  
from above

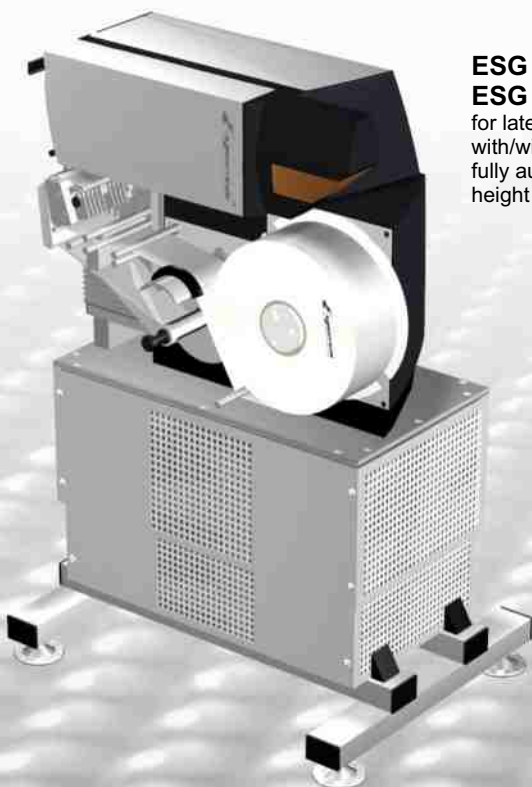
**ESB 214**  
Barcode scanner  
from below



**ESZ 334**  
Covering cap  
for ESD 504



**ESZ 314**  
Covering cap  
for drum printer  
ESD 544



**ESG 214**  
**ESG 204**  
for lateral labelling  
with/without  
fully automatic  
height adjustment.

**ESX 104**  
jet sorter





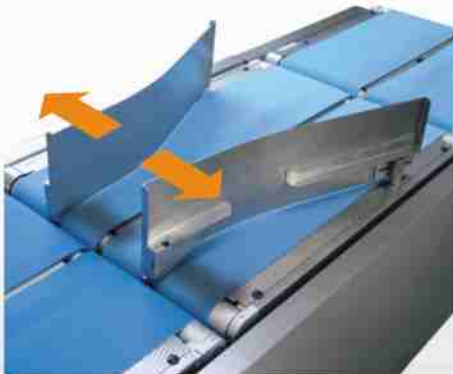
**TTF**  
thermal transfer



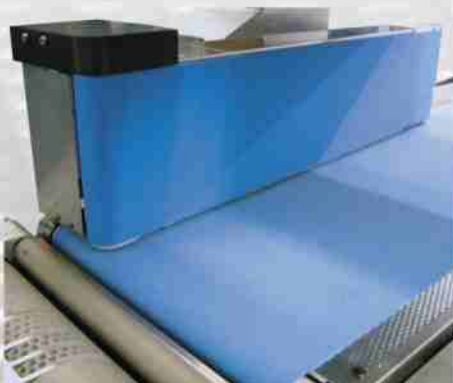
**ESU 134**  
console for ESC 904



**ESZ 324**  
swivel device  
for printer  
ESD 504



**ESA 404**  
high lateral guides



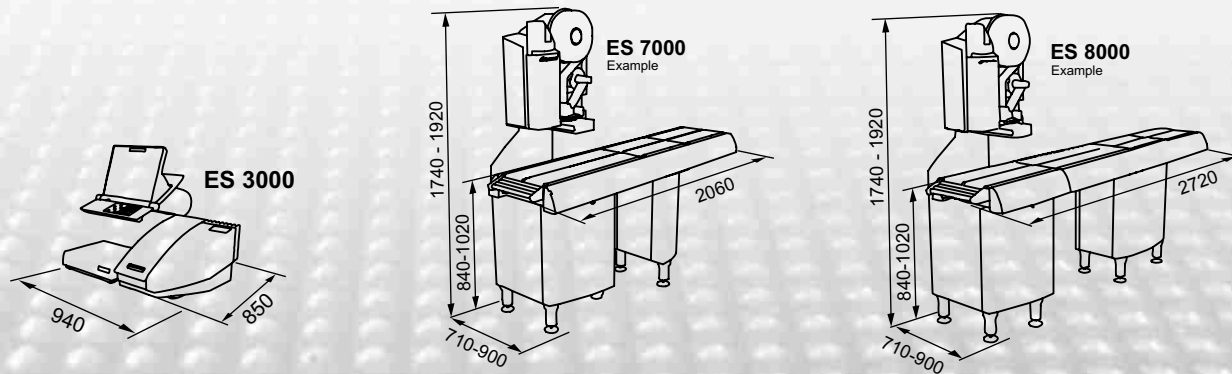
**ESA 314**  
driven pack alignment  
for precision labelling

Even first-class machines can be optimised in functionality by according optional additional devices. Equipment to sort accelerates effectively the final stage of weigh price labelling and saves herewith time and costs. We have also very pragmatic things in mind: Among other things we offer a protection cover that shields from splash water. Flexibility and customer orientation are our first priority.

Therefore we develop with our customers project orientated custom-made products that fit accurately in the individual company situation.

Modell	ES 3000 15 kg	ES 3000 60 kg	ES 7000	ES 8000
Pack size in mm (L x W x H)				
Max. with alignment unit	–	–	370 x 280 x 200	370 x 280 x 200
Max. without alignment unit	–	–	370 x 360 x 200	370 x 360 x 200
Max. with long pack program	–	–	up to L 750*	–
Labelling output packs/min.	–	–	up to 120	up to 150
Multiple printer operation	Yes	Yes	Yes	Yes
Total printer	Yes	Yes	Yes	Yes
8 Dot/mm / 200 dpi	Yes	Yes	Yes	Yes
12 Dot/mm / 300 dpi	Yes	Yes	Yes	Yes
Label passage	110 mm	110 mm	110 mm	110 mm
Maximum printing speed	100 mm/s	100 mm/s	300 mm/s	300 mm/s
Print head service life optimised	–	–	Yes	Yes
Print width	80 / 104 mm	80 / 104 mm	80 / 104 mm	80 / 104 mm
Label minimum W x L	22 / 37 x 15 mm	22 / 37 x 15 mm	37 x 37 mm	37 x 37 mm
Printer from below	–	–	52 x 37 mm	52 x 37 mm
Label maximum W x L	110 x 480 mm	110 x 480 mm	110 x 200 mm	110 x 200 mm
Printer from below	–	–	110 x 130 mm	110 x 130 mm
Label reel core	76 mm	76 mm	76 mm	76 mm
Label reel outside diameter	210 mm	210 mm	285 mm	285 mm
Scales	static	static	dynamic	dynamic
Weighing range	3 / 6 / 15 kg	15 / 30 / 60 kg	3 / 6 / 8 kg	3 / 6 kg
Scale increment	1 / 2 / 5 g	5 / 10 / 20 g	1 / 2 / 5 g	1 / 2 g
Scale	330 x 235 mm	540 x 430 mm		
RS 232	Yes	Yes	Yes	Yes
RS 485	Optional	Optional	Optional	Optional
Ethernet	Yes	Yes	Yes	
Internal analog modem	Yes	Yes	Yes	
PS/2 connection	Yes	Yes	Yes	Yes
Parallel	Yes	Yes	Yes	Yes
Height compensation & cross settings	–	–	automatic	automatic
Number of legs (basic machine)	–	–	5	8
Memory			20 GB	
Multimedia slot			MultiMediaCard	
Mains voltage			190V to 240V / 50 - 60 Hz	
Operating temperature			- 10 °C to + 40 °C	

\*depends on packages and machine configurations



## ESPERA-WERKE GMBH

P.O. Box 10 04 55 • 47004 Duisburg

Tel. ++49(0)203/30 54 - 0 • Fax ++49(0)203/30 54 - 275

info@espera.com • [www.espera.com](http://www.espera.com)