

Esperia[®]

**A New Approach:
Interactive Management
in Price Labelling**



ES 1000

ES 2000

ES 3000

ES 4000

ES 5000

ES 6000

ES 7000

ES 8000

ES 9000



Welcome to the future of Price Labelling!

A period of intensive and creative research and development is now culminating in the presentation of our New Generation of innovative Price Labelling machines.

It was always our ambition to stay just ahead of general development. We are particularly proud of the new machines, which combine an ingenious industrial design with unprecedented functionality.

For perfect management of all the production processes in weight and price labelling we have developed the intelligent software ESMS – the heart of our Price Labeller. It enables all the

processes to be controlled via the touch screen simply – by entering a PID number (product identification) and a CID number (customer identification). Using multi-tasking, the machine continues running whilst the next production run is being prepared.

Exceeding previous Price Labelling speeds, full of technical refinements and at the same time aesthetically pleasing we have achieved pioneering work and entered new territory with this generation.

Welcome to the future.



The Highlights

Properties

- output up to 150 packs per minute
- automatic adjustment of product guides, printer, label position and label rotation
- fast change of label reels by servo device
- easy replacement of thermal print heads without customer service
- conveyor belt replacement with cable-free plug-in
- conveyor with quick belt tensioning device
- labelling from below with drum printer: no belt adjustment, no belt recess
- multi-tasking for uninterrupted Price Labelling

Construction

- industrial design housing in stainless steel
- stable machine base with minimum number of legs
- conveyors for long packs up to 750 mm
- thermal printer options: 12 dots/mm (300 dpi), print width 104 mm
 8 dots/mm (200 dpi), print width 80 mm

High Performance Applicator System

- automatic height compensation up to 200 mm
- no adjustment needed for different labels
- rotation of the labels for market-dependent positioning on the pack
- no external air supply needed

Long service life and availability

- brush free drive motors
- automatic control of the printing speed
- lifting of print head between each label

ESMS terminal

- brilliant colour display with touch screen
- clear operator guidance with on-screen messages
- interactive control of the system
- convenient master data entry
- label software with true type fonts and logos
- packaging software
- pre-selection memory (no down time for article change)

Service

- remote maintenance via modem connection
- on line software update



ES 8000

**Fully Automatic Price Labelling,
dynamic operation**

- High-performance system for large capacities
- Labelling output: 150 packs per minute
- Interactive Price Labelling with ESMS control software



The cross adjustment settings
of the printer are stored in
the pack set-up program



ES 8001



ES 8012



ES 8100
Checkweighing-Version



ES 8002

The high-speed ES 8000 is the premier model in the range of Price Labelling Systems from ESPERA. Technical know-how, a desire for innovation and the readiness to comply rigorously with customer's requirements has resulted in a truly impressive system. With this Price Labeller a more efficient use of production time is effortlessly achieved, not only because it labels up to 150 packs per minute, but also because there are no longer any "set-up" times, i.e. while one order is in progress, preparation can be made for the next ones.

The system is managed via the ESMS control software, which makes interactive Price Labelling possible for the first time. New with this range, ESPERA offers remote maintenance via a modem. Any questions can be dealt with quickly on-line.



Additions

Extending additions or:
How to increase perfection.

ESB 204
Barcode scanner
from above

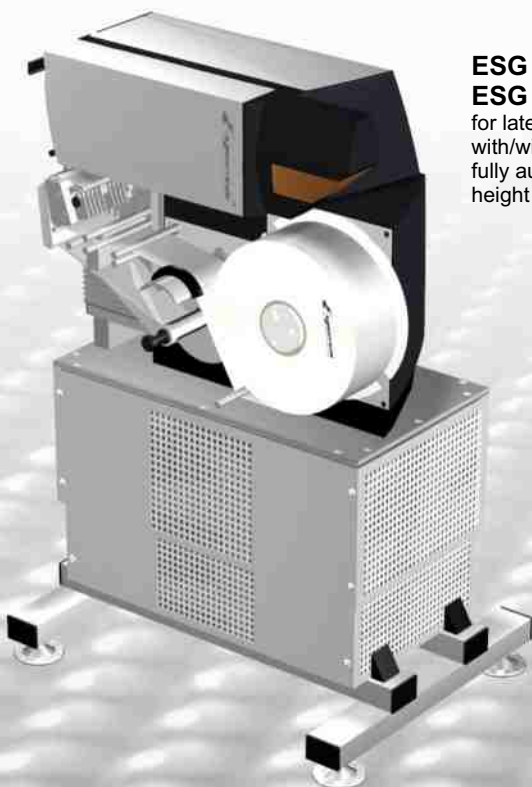
ESB 214
Barcode scanner
from below



ESZ 334
Covering cap
for ESD 504



ESZ 314
Covering cap
for drum printer
ESD 544



ESG 214
ESG 204
for lateral labelling
with/without
fully automatic
height adjustment.

ESX 104
jet sorter





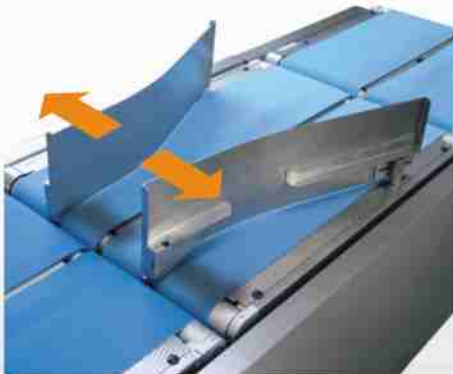
TTF
thermal transfer



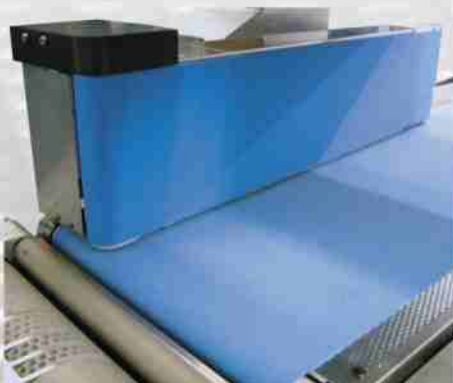
ESU 134
console for ESC 904



ESZ 324
swivel device
for printer
ESD 504



ESA 404
high lateral guides



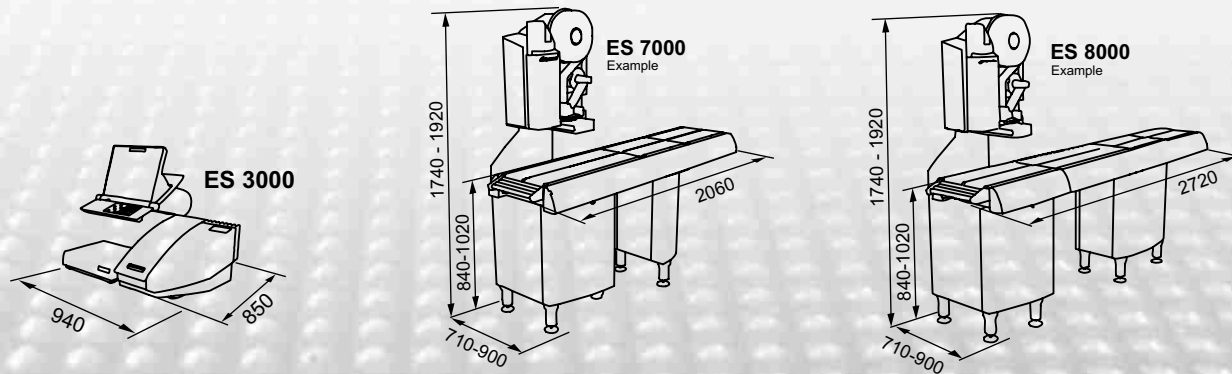
ESA 314
driven pack alignment
for precision labelling

Even first-class machines can be optimised in functionality by according optional additional devices. Equipment to sort accelerates effectively the final stage of weigh price labelling and saves herewith time and costs. We have also very pragmatic things in mind: Among other things we offer a protection cover that shields from splash water. Flexibility and customer orientation are our first priority.

Therefore we develop with our customers project orientated custom-made products that fit accurately in the individual company situation.

Modell	ES 3000 15 kg	ES 3000 60 kg	ES 7000	ES 8000
Pack size in mm (L x W x H)				
Max. with alignment unit	–	–	370 x 280 x 200	370 x 280 x 200
Max. without alignment unit	–	–	370 x 360 x 200	370 x 360 x 200
Max. with long pack program	–	–	up to L 750*	–
Labelling output packs/min.	–	–	up to 120	up to 150
Multiple printer operation	Yes	Yes	Yes	Yes
Total printer	Yes	Yes	Yes	Yes
8 Dot/mm / 200 dpi	Yes	Yes	Yes	Yes
12 Dot/mm / 300 dpi	Yes	Yes	Yes	Yes
Label passage	110 mm	110 mm	110 mm	110 mm
Maximum printing speed	100 mm/s	100 mm/s	300 mm/s	300 mm/s
Print head service life optimised	–	–	Yes	Yes
Print width	80 / 104 mm	80 / 104 mm	80 / 104 mm	80 / 104 mm
Label minimum W x L	22 / 37 x 15 mm	22 / 37 x 15 mm	37 x 37 mm	37 x 37 mm
Printer from below	–	–	52 x 37 mm	52 x 37 mm
Label maximum W x L	110 x 480 mm	110 x 480 mm	110 x 200 mm	110 x 200 mm
Printer from below	–	–	110 x 130 mm	110 x 130 mm
Label reel core	76 mm	76 mm	76 mm	76 mm
Label reel outside diameter	210 mm	210 mm	285 mm	285 mm
Scales	static	static	dynamic	dynamic
Weighing range	3 / 6 / 15 kg	15 / 30 / 60 kg	3 / 6 / 8 kg	3 / 6 kg
Scale increment	1 / 2 / 5 g	5 / 10 / 20 g	1 / 2 / 5 g	1 / 2 g
Scale	330 x 235 mm	540 x 430 mm		
RS 232	Yes	Yes	Yes	Yes
RS 485	Optional	Optional	Optional	Optional
Ethernet	Yes	Yes	Yes	
Internal analog modem	Yes	Yes	Yes	
PS/2 connection	Yes	Yes	Yes	Yes
Parallel	Yes	Yes	Yes	Yes
Height compensation & cross settings	–	–	automatic	automatic
Number of legs (basic machine)	–	–	5	8
Memory			20 GB	
Multimedia slot			MultiMediaCard	
Mains voltage			190V to 240V / 50 - 60 Hz	
Operating temperature			- 10 °C to + 40 °C	

*depends on packages and machine configurations



ESPERA-WERKE GMBH

P.O. Box 10 04 55 • 47004 Duisburg

Tel. ++49(0)203/30 54 - 0 • Fax ++49(0)203/30 54 - 275

info@espera.com • www.espera.com