

vegatronic

2000

rotatable jaws



www.ilapak.com

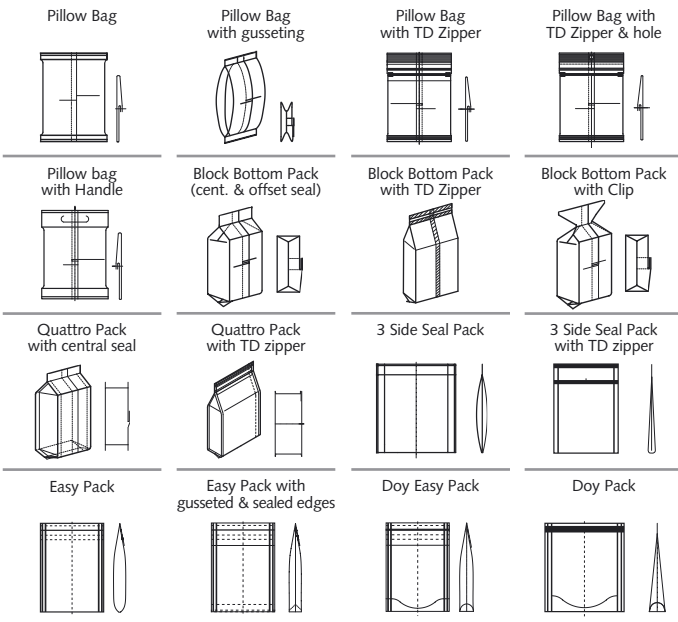


PACKAGING MACHINERY

TECHNICAL SPECIFICATIONS	S	P	SP
Machine speed	120 cpm	120 cpm	120 cpm
Bag size			
WIDTH MIN	50 mm - 2.0"	50 mm - 2.0"	50 mm - 2.0"
WIDTH MAX	380 mm - 15.0"	370 mm - 14.6"	380/370 mm - 15.0"/14.6"
LENGTH	480/630* mm - 18.9"/24.8"*	480/630* mm - 18.9"/24.8"*	480/630* mm - 18.9"/24.8"*
Wrapping materials	Heat sealable materials, such as polypropylene, barrier films, laminates, as well as polyethylene films		
Film reel dimensions			
REEL WIDTH MAX	780 mm - 30.7"	780 mm - 30.7"	780 mm - 30.7"
REEL OUTER Ø MAX	500 mm - 19.7"	500 mm - 19.7"	500 mm - 19.7"
REEL CORE Ø MAX	76 mm - 3.0"	76 mm - 3.0"	76 mm - 3.0"
Film reel max weight	100 kg - 220 lbs	100 kg - 220 lbs	100 kg - 220 lbs
Sealing system	----- Motorized horizontal sealing jaws - Pneumatic vertical seal bar -----		
	Standard heat-seal jaws and vertical seal bar	Ilaseal or Ilatherm constant/impulse heating	Both S & P systems
Electronic platform	----- Industrial PC + CAN BUS System ----- For USA & Canada, in particular, Allen Bradley platform available.		
Program memory	----- 100 programs -----		
HMI	----- 6" colour touch screen (10"*) -----		
Power req. (optionals excluded)	----- AC 400 V+/-5%, 3 phase, neutral, 50 Hz, 5 kW, 7.5 A -----		
Compressed air	350-500 NI/min, 7 bar	500-900 NI/min, 7 bar	Same as per S or P
Machine finish	----- RAL 9001 electrostatic epoxy powder coating - Stainless steel version* -----		
Machine handing	----- Right hand version, left hand version* -----		
Machine dimensions	----- (width x depth x height) 1780 x 2410 x 1630 mm - 70.0" x 94.9" x 64.2" -----		
Machine weight	----- Approx. 1000 kg - 2204 lbs -----		

*optional

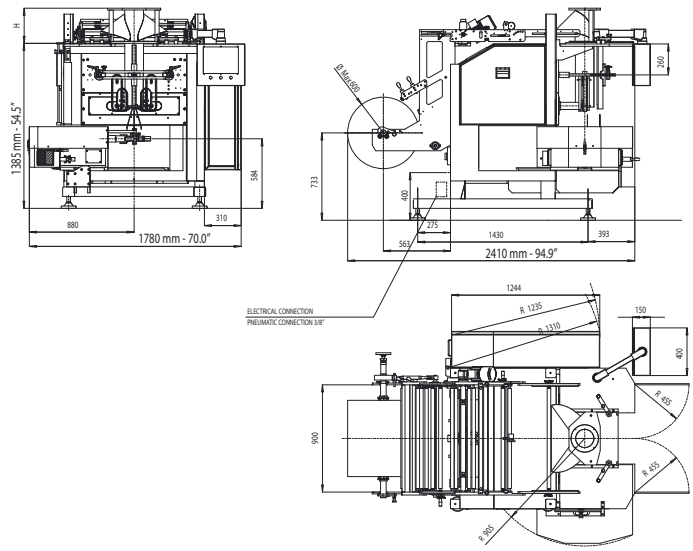
PACK STYLES



... and many more

Please discuss your needs with our local representative to configure this machine to your product's specific requirements.

ILAPAK is ISO 9001:2000 certified.



All measurements not specified in inches are given in millimeters.

These specifications are not binding. We reserve the right to change them without prior notice.