

# vegatronic 4000



[www.ilapak.com](http://www.ilapak.com)

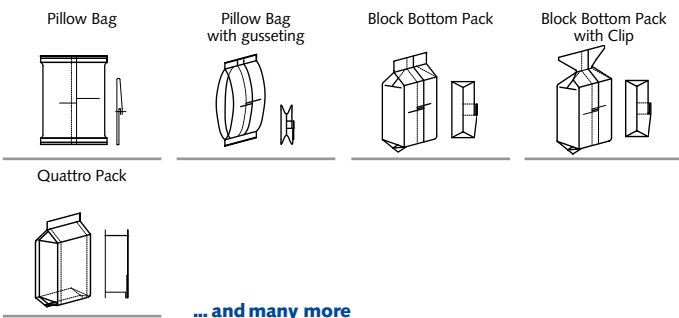


PACKAGING MACHINERY

TECHNICAL SPECIFICATIONS	S	P	SP
<b>Machine speed</b>	140 cpm	140 cpm	140 cpm
<b>Bag size</b>			
WIDTH MIN	70 mm - 2.76"	70 mm - 2.75"	70 mm - 2.75"
WIDTH MAX	420 mm - 16.5"	410 mm - 16.1"	420/410 mm - 16.5"/16.1"
LENGTH	600 mm - 23.6"	600 mm - 23.6"	600 mm - 23.6"
<b>Wrapping materials</b>	Heat sealable materials, such as polypropylene, barrier films, laminates, as well as polyethylene films.		
<b>Film reel dimensions</b>			
REEL WIDTH MAX	800 mm - 34.6"	800 mm - 34.6"	800 mm - 34.6"
REEL OUTER Ø MAX	500 mm - 216"	500 mm - 216"	500 mm - 216"
REEL CORE Ø MAX	76 mm - 3.0"	76 mm - 3.0"	76 mm - 3.0"
<b>Film reel max weight</b>	100 kg - 220 lbs	100 kg - 220 lbs	100 kg - 220 lbs
<b>Sealing system:</b>			
<b>vertical</b>	----- Drag system (std.) / Band sealing system* -----		
<b>horizontal</b>	Standard heat-seal jaws	Ilaseal or Ilatherm jaws	Both S & P systems
<b>Electronic platform</b>	----- Industrial PC + CAN B US System ----- ----- Allen Bradley Control Logix platform* -----		
<b>Program memory</b>	----- 100 programs -----		
<b>HMI</b>	----- 6" colour touch screen (10"*) -----		
<b>Power req.</b> (optionals excluded)	----- AC 400 V+/-5%, 3 phase, neutral, 50 Hz, 7.5 kW, 11 A -----		
<b>Compressed air</b>	350-500 NI/min, 7 bar	500-900 NI/min, 7 bar	Same as per S or P
<b>Machine finish</b>	----- Stainless steel -----		
<b>Machine handing</b>	----- Right hand version, Left hand version* -----		
<b>Machine dimensions</b> (without forming set)	----- (width x depth x height) 1398 x 2110 x 1510 mm - 55" x 83" x 59.4" -----		
<b>Machine weight</b>	----- Approx. 1500 kg - 3306 lbs -----		

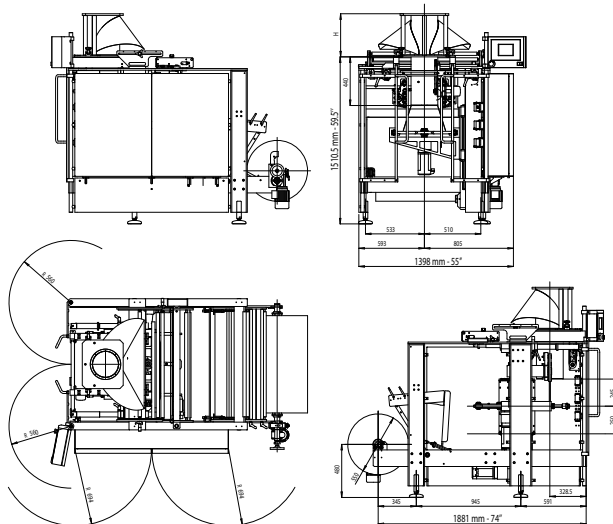
\* optional

**PACK STYLES**



Please discuss your needs with our local representative to configure this machine to your product's specific requirements.

ILAPAK is ISO 9001:2000 certified.



All measurements not specified in inches are given in millimeters.

These specifications are not binding. We reserve the right to change them without prior notice.