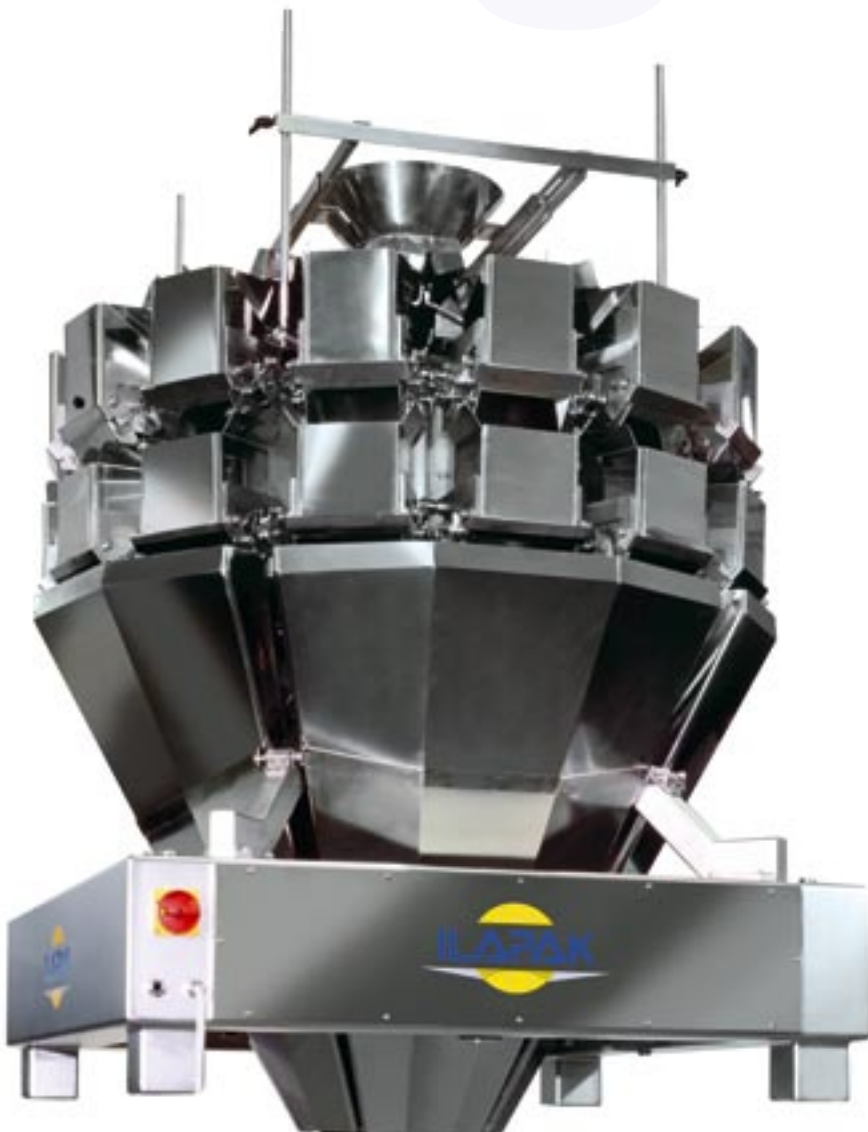


weightronic 14-25



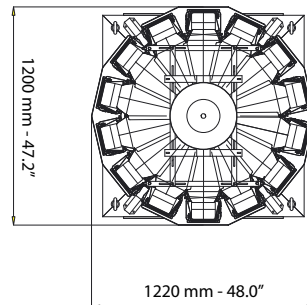
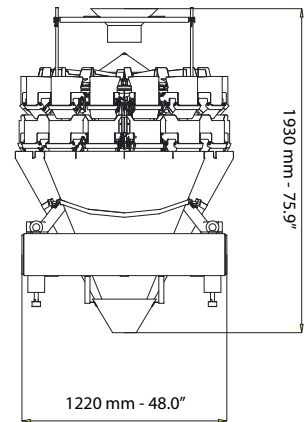
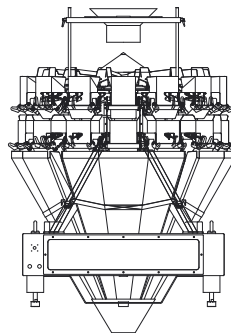
www.ilapak.com



PACKAGING MACHINERY

TECHNICAL SPECIFICATIONS	GD	GW
Weighing speed	Max 160 wpm Depending on target weight, product density and shape and feeding conditions.	
Buckets	Springless type.	
NUMBER	14	14
VOLUME	2,5 liter	2,5 liter
DESIGN	Easy to clean concept Leak-proof execution*	
DRIVE	High speed stepper motors.	
Product distribution	Vibrated distribution cone with loadcell* Rotary distribution cone with loadcell*	
Product contact parts	Stainless steel. Teflon coated*. Embossed plate*.	
Loadcells	C3 accuracy class; OIML approved R76 class	
Electronic platform	Industrial PC + CAN BUS System	
Program memory	100 programs	
HMI (control unit)	10" colour touch screen	
Power req. (optionals excluded)	AC 400 V+/-5%, 3 phase, neutral, earth, 50 Hz, 20 A	
Compressed air (opt. excluded)	7 bar	7 bar
Machine finish	AISI 304. AISI 316*	
Protection grade	IP 54	IP 65. IP 66*
Machine dimensions	(width x depth x height) 1220 x 1200 x 1930 mm - 48" x 47.2" x 75.9".	
Machine weight	Approx. 540 kg - 1.190 lbs	

* optional



All measurements not specified in inches are given in millimeters.

Please discuss your needs with our local representative to configure this machine to your product's specific requirements.

ILAPAK is ISO 9001:2000 certified.

These specifications are not binding. We reserve the right to change them without prior notice.